

4-35mm² Cable Lugs HUP-PIN LUGS Terminals Non-Insulated - Copper Lugs Tin Plated

Our Product Introduction

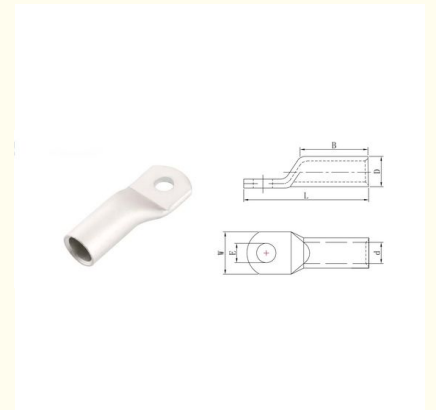
Basic Information

- Place of Origin: China
- Brand Name: TLC
- Certification: UL, CUL, CE
- Model Number: HUP
- Minimum Order Quantity: 1000
- Price: USD
- Packaging Details: PE bag, Carton
- Delivery Time: 5-30 working days
- Payment Terms: T/T
- Supply Ability: 300-800K pcs per month



Product Specification

- Material: Copper
- Type: Crimped
- Current Rating: High
- Product Name: Cable Lugs
- Application: Electrical Connections
- Packaging: Bag, Box, Carton
- MOQ: 1000 Pieces
- Color: Silver
- Highlight: **tlc 35mm² Copper Cable Lugs,**
35mm² Copper Cable Lug tlc,
4-35mm² tin plated copper lugs tlc



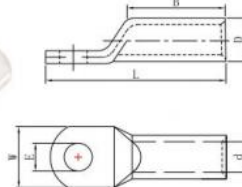
for more products please visit us on cableslugs.com



Non- Insulated - Copper Lugs

HUP-DIN LUGS TERMINALS

Material
Terminal Body: Copper
Plating: Tin



WIRE RANGE	STUD SIZE		ITEM NO	DIMENSION mm(inch)						STANDRAD	QTY BOX
	mm2 (A.W.G)	Metric		Amerian	E	D	d	W	B		
4-6 (12-10)	5	#10	HUP-DIN6-5	5.3	5.5	3.8	8.5	10.0	30.5	T-12098501	1000
	6	1/4	HUP-DIN6-6	6.4					31.5	T-12098502	
	8	5/16	HUP-DIN6-8	8.4					34.0	T-12098503	
10 (8)	5	#10	HUP-DIN10-5	5.3	6.0	4.5	13.0	10.0	34.0	T-12098504	500
	6	1/4	HUP-DIN10-6	6.4					34.5	T-12098505	
	8	5/16	HUP-DIN10-8	8.4					37.0	T-12098506	
	10	3/8	HUP-DIN10-10	10.5					39.0	T-12098507	
16 (6)	6	1/4	HUP-DIN16-6	6.4	8.5	5.5	13.0	20.0	43.5	T-12098508	500
	8	5/16	HUP-DIN16-8	8.4					46.0	T-12098509	
	10	3/8	HUP-DIN16-10	10.5					48.0	T-12098510	
	12	1/2	HUP-DIN16-12	13.0					49.0	T-12098511	
25 (4)	6	1/4	HUP-DIN25-6	6.4	10.0	7.0	14.0	20.0	45.5	T-12098512	200
	8	5/16	HUP-DIN25-8	8.4					48.0	T-12098513	
	10	3/8	HUP-DIN25-10	10.5					50.0	T-12098514	
	12	1/2	HUP-DIN25-12	13.0					51.0	T-12098515	
35 (2)	6	1/4	HUP-DIN35-6	6.4	12.5	8.2	17.0	20.0	49.5	T-12098516	200
	8	5/16	HUP-DIN35-8	8.4					52.0	T-12098517	
	10	3/8	HUP-DIN35-10	10.5					54.0	T-12098518	
	12	1/2	HUP-DIN35-12	13.0					55.0	T-12098519	
	14	9/16	HUP-DIN35-14	15.0					56.5	T-12098520	

Product Description:

Lugs terminals are an integral part of electrical systems, that provide secure and safe connections between wires or cables and electrical devices or equipment. It's paramount for the proper installation of these components for optimal electrical performance and safety. Completing a secure and reliable electrical connection requires precise installation of lugs terminals, using the right lubricants and tools. It's important to choose the proper size and type of lug for the application. Furthermore, there are specific electrical code regulations that are essential for installation.

In conclusion, lugs terminals are essential components for ensuring the proper and safe functioning of an electrical system. They require precise installation to ensure safe and reliable connections between wires and electrical devices, as well as abiding to the relevant electrical code regulations.

Features:

The **combination of lugs and terminals** makes for a *strong and stable electrical connection*. This is essential for transferring *electrical power or signals* between all kinds of devices **efficiently**. If it is correctly installed, lugs and terminals can help deter any *loose connections*, which could lead to **poor performance, overheating, and even complete electrical failures**.

Applications:

Lugs terminals are an indispensable part of electrical systems. They fulfill a pivotal role in linking wires or cables to different electrical devices or machinery.

Lugs are miniature metal connectors that are forcefully pressed or welded onto both extremities of wires. They are created with the purpose of building a reliable and steadfast connection with terminals. Those lugs are available in multiple sizes and forms to meet the requirements of different wire thicknesses and terminal types.

Support and Services:

Mechanical Cable Lugs Technical Support and Service

We provide technical support and service for mechanical cable lugs. Our service team is available to help you with any queries about installation and maintenance you may have. Our team of professionals can provide advice on the best type of lug for your particular application.

We also provide assistance with the installation and maintenance of mechanical cable lugs. Our team can offer advice on the best ways to ensure a safe and reliable installation. We can also provide detailed instructions on how to maintain the lugs to ensure they remain in good condition for a long time.

If you need any further help or advice on the installation and maintenance of mechanical cable lugs, please contact us and we will be happy to help.

Packing and Shipping:

Packaging and Shipping

Mechanical Cable Lugs will be packed in cardboard boxes or plastic bags.

The boxes/bags will be labeled with the relevant information such as product name, quantity, supplier, etc.

The boxes/bags will be sealed with tape to ensure that the product is secure during transport.

Mechanical Cable Lugs will be shipped via air, sea, or land depending on the customer's requirements.

FAQ:

Q1: What is the Brand Name of Mechanical Cable Lugs?

A1: The Brand Name of Mechanical Cable Lugs is TLC.

Q2: What is the Model Number of Mechanical Cable Lugs?

A2: The Model Number of Mechanical Cable Lugs is DT and HUP.

Q3: Where is the Place of Origin of Mechanical Cable Lugs?

A3: The Place of Origin of Mechanical Cable Lugs is China.

Q4: What is the Certification of Mechanical Cable Lugs?

A4: The Certification of Mechanical Cable Lugs is UL, CUL, CE.

Q5: What is the Minimum Order Quantity of Mechanical Cable Lugs?

A5: The Minimum Order Quantity of Mechanical Cable Lugs is 1000.



TLC TERMINALS TECHNOLOGY LIMITED



+8615338876153



joe@t-terminals.com



cableslugs.com

4B Huafeng Industrial Park Baolong 1 Road Baolong Street, Longgang District, Shenzhen City